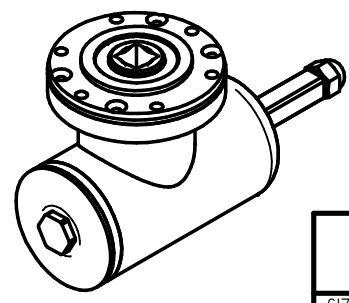
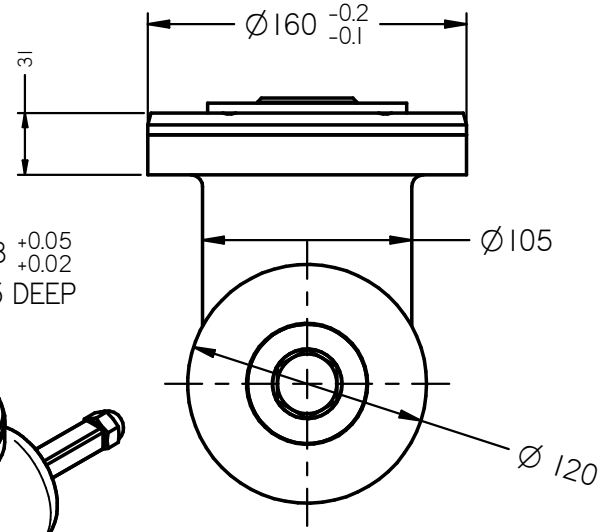
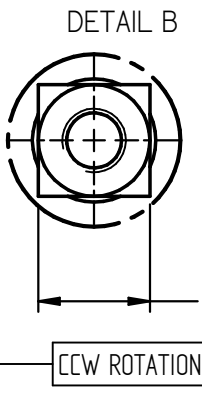
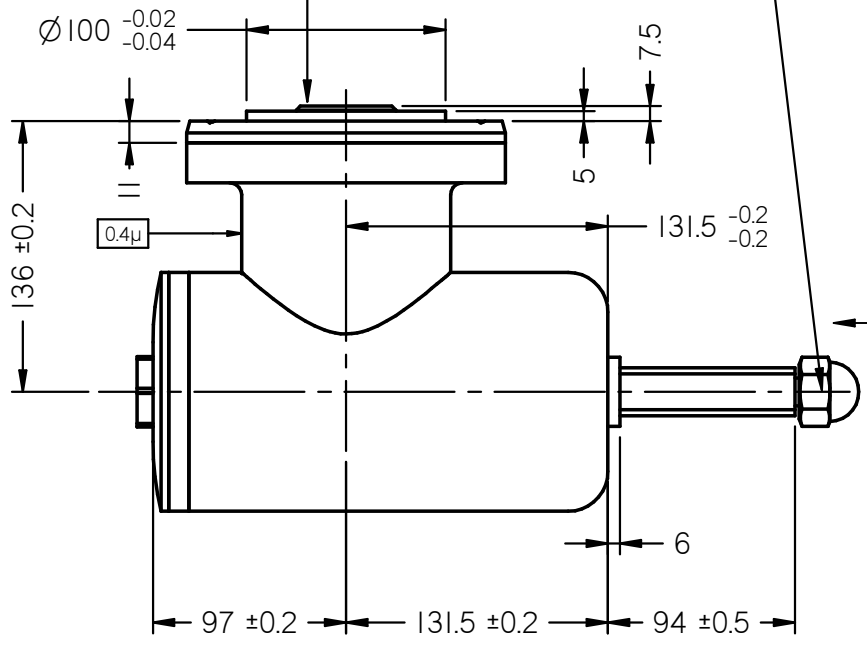


TORQUE RATING			
MODEL	1000 RPM	1500 RPM	3000 RPM
TECHNOBEVEL 3020	84	65	40
UNITS: TORQUE-NM, WEIGHT-19 KG (APPROX)			

CW ROTATION
LOOKING FROM THIS SIDE
↓

M20 X 2.5 P LH SS DOME NUT



TECHNOCRAFT ENGINEERS		
B-19,MIDC FLATTED FACTORY,L.B.S. ROAD, THANE-400 604.		
SIZE A4	G.A. DRAWING	REV 12.0221
TECHNOBEVEL 3020 TQ		
SCALE: NTS	WEIGHT: KG	SHEET 2 OF 2