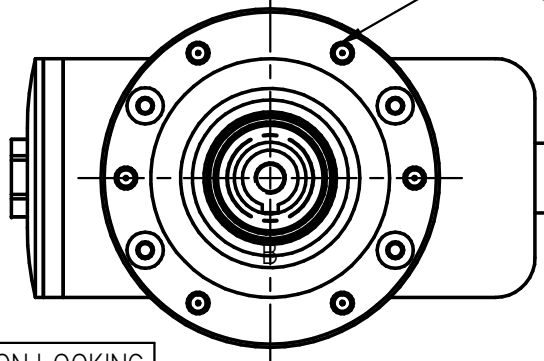
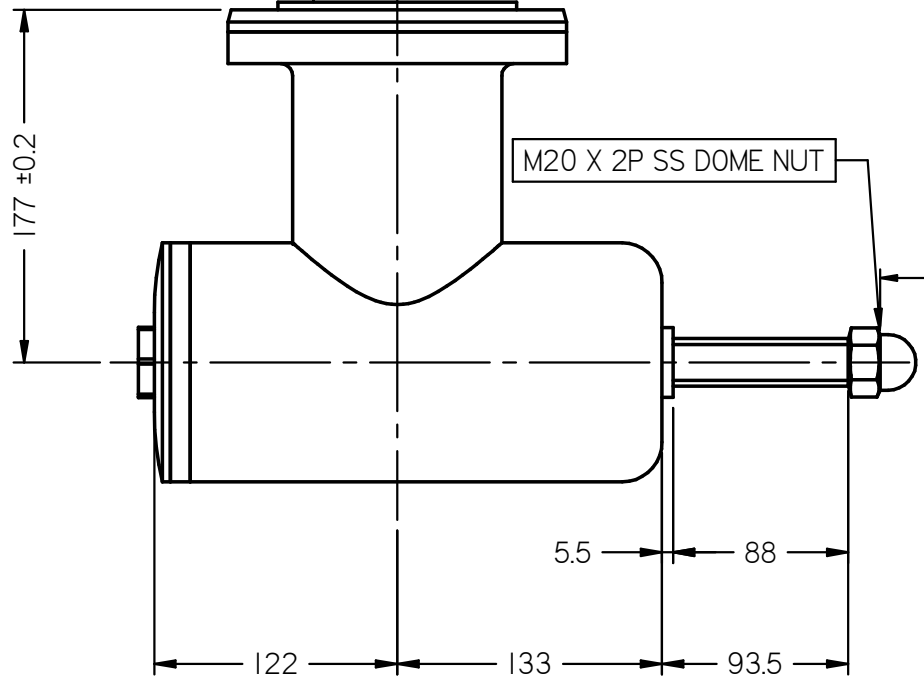


#6 \varnothing 11x11 DEEP
M10x10 AT 145 PCD



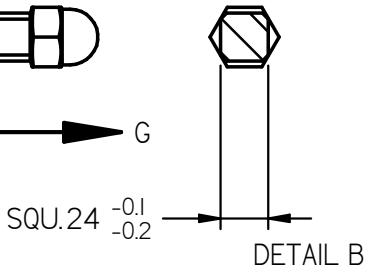
CW ROTATION LOOKING
FROM THIS SIDE ↴



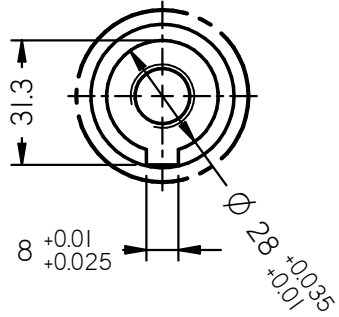
M20 X 2P SS DOME NUT

CCW ROTATION

SECTION G-G



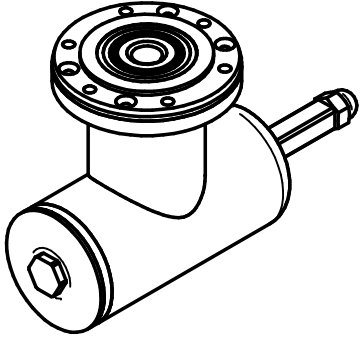
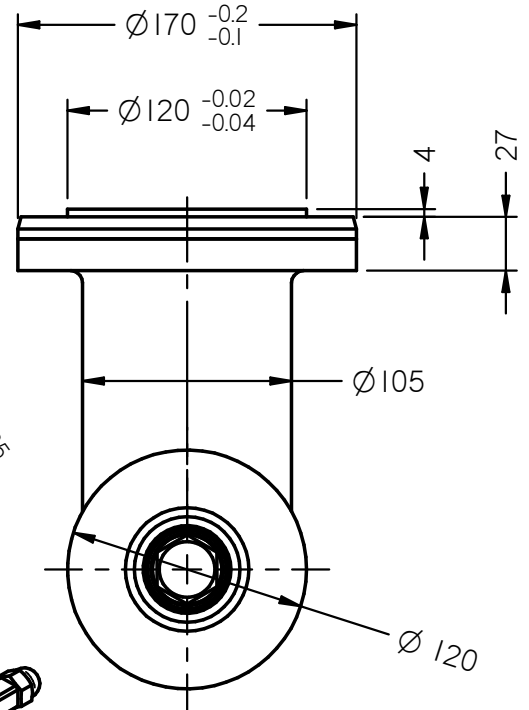
DETAIL B



TORQUE RATING

MODEL	1000 RPM	1500 RPM	3000 RPM
TECHNOBEVEL 3014 TQ	84	65	40

UNITS: TORQUE-NM, WEIGHT-KG, DIMENSIONS-MM



TECHNOCRAFT ENGINEERS
B-19,MIDC FLATTED FACTORY,L.B.S. ROAD, THANE-400 604.

SIZE A4	ASSEMBLY DRAWING-BOM	REV 01.02.19
TECHNOBEVEL 3014 TQ		
SCALE: NTS	WEIGHT: 20KG	SHEET 2 OF 3