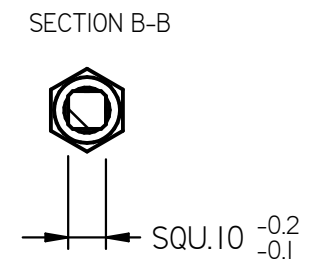
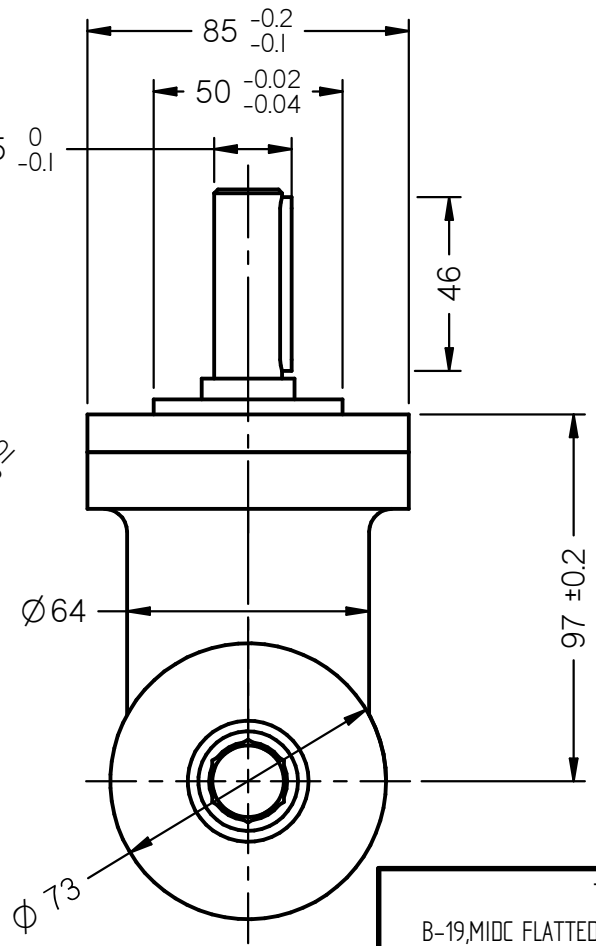
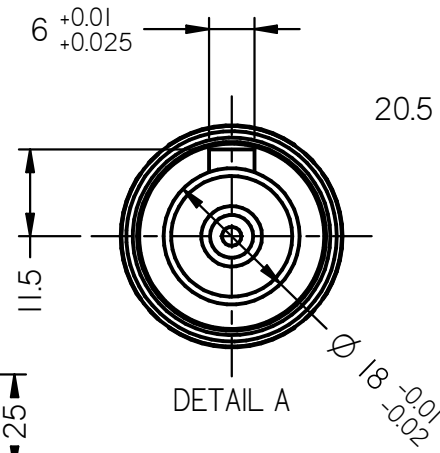
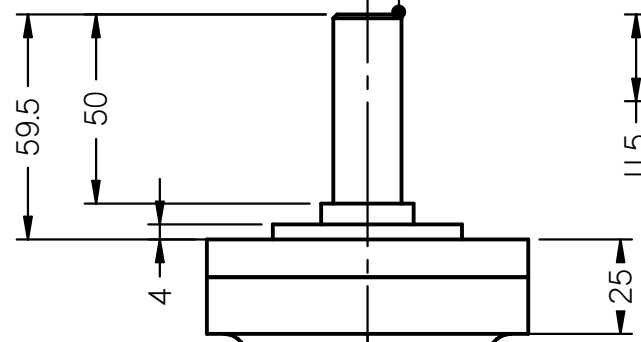
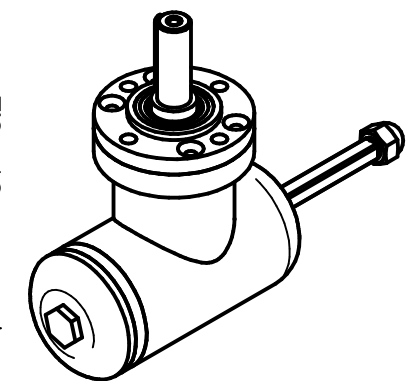
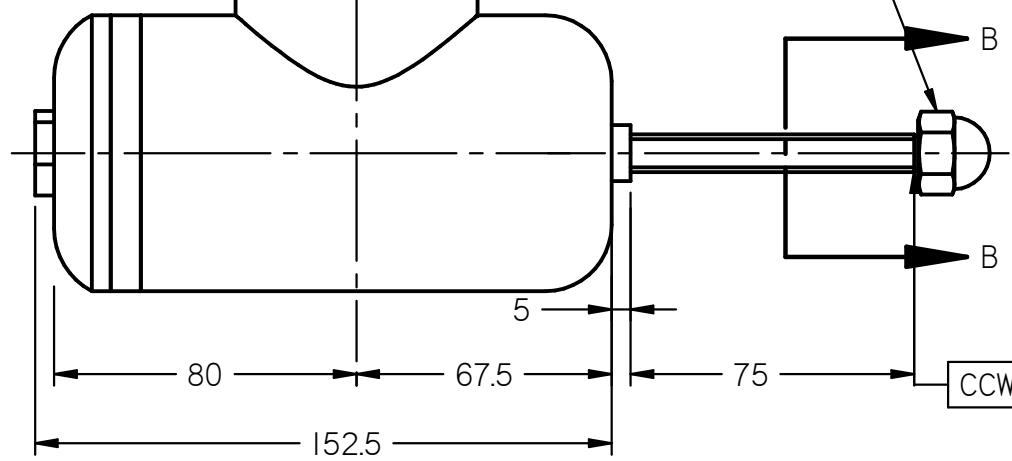


TORQUE RATING				
DRG. NO.	TORQUE AT 30 RPM	TORQUE AT 1000 RPM	TORQUE AT 1400 RPM	TORQUE AT 2800 RPM
TECHNO-3011 TQ	40	24	20	12
UNITS: TORQUE-NM, WEIGHT-KG, DIMENSIONS-MM				

CW ROTATION
LOOKING FROM THIS SIDE ↴



MI2 X 1.75P DOME NUT



TECHNOCRAFT ENGINEERS B-19, MIDC FLATTED FACTORY, L.B.S. ROAD, THANE-400 604.		
SIZE A4	GA DRAWING	REV 28.12.19
TECHNOBEVEL 3011 TQ		
SCALE: NTS	WEIGHT:	SHEET 1 OF 1