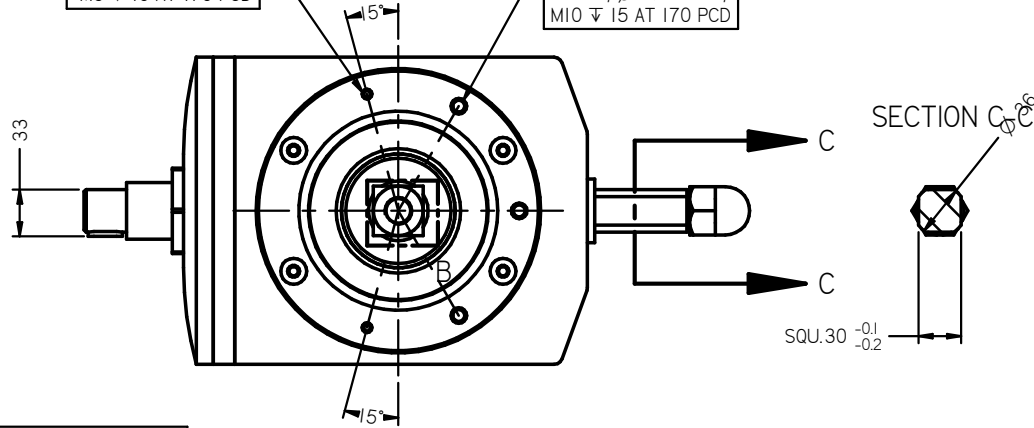


2 NOS,  $\varnothing 7 \times 16$  DEEP,  
M6  $\nabla$  10 AT 170 PCD

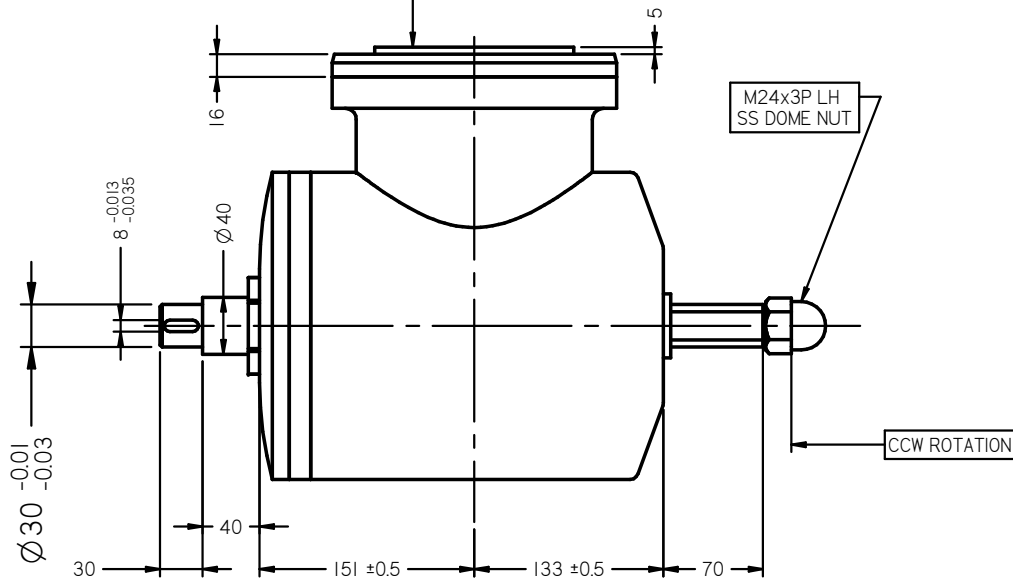
3 NOS,  $\varnothing 11 \times 16$  DEEP,  
M10  $\nabla$  15 AT 170 PCD



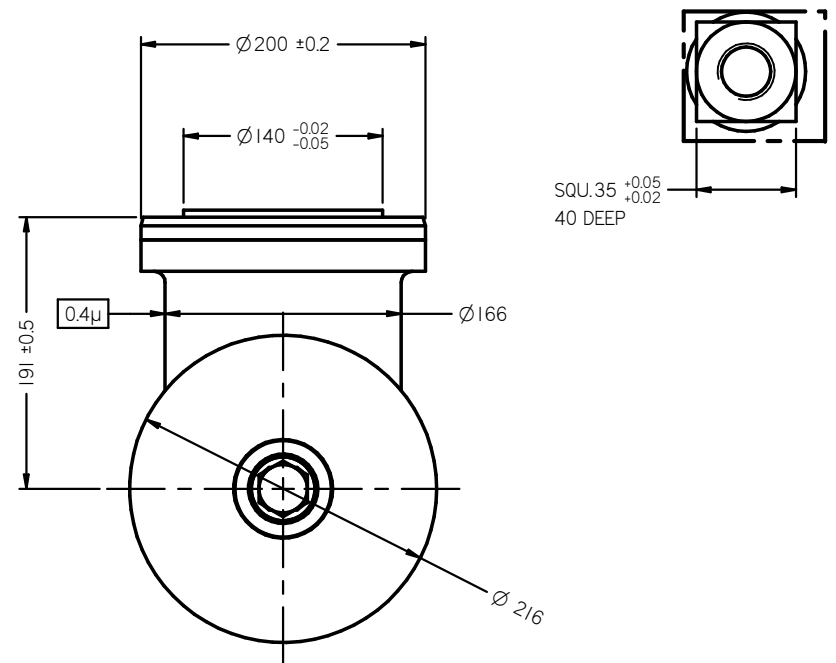
### TORQUE RATING OF GEARBOXES

DRG. NO.	TORQUE AT 70 RPM BIRECTION	TORQUE AT 70 RPM UNIDIRECTION
TECHNO-3019	450	670
UNITS: TORQUE-NM, WEIGHT-65 KG (APPROX)		

CW ROTATION  
LOOKING FROM THIS SIDE  
 $\nabla$



DETAIL B



TECHNOCRAFT ENGINEERS  
B-19, MIDC FLATTED FACTORY, L.B.S. ROAD, THANE-400 604.

SIZE A4	G.A. DRAWING	REV 22.11.20
TECHNOBEVEL 1802-3019		
SCALE: NTS	WEIGHT: KG	SHEET 2 OF 2