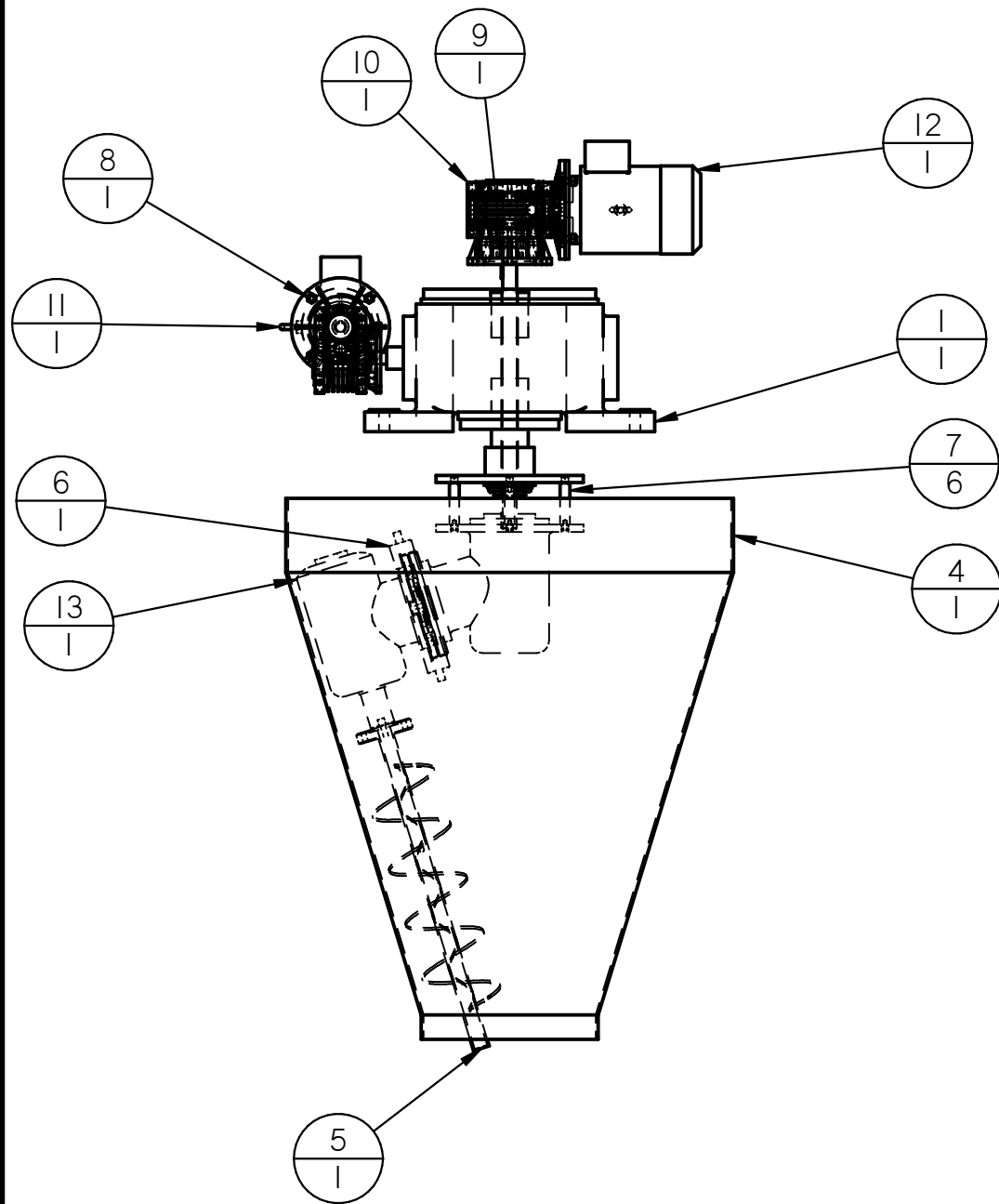


SECTION A-A

TECHNOCRAFT ENGINEERS
 B-19, MIDC FLATTED FACTORY, L.B.S. ROAD, THANE-400 604.

SIZE A4	NAUTA DRIVE MECHANISM		REV 12.11.19
	NAUTA MIXER		
MATL: OHNS	SCALE: NTS	WEIGHT:	SHEET 1 OF 3
QTY.: 1NO.			

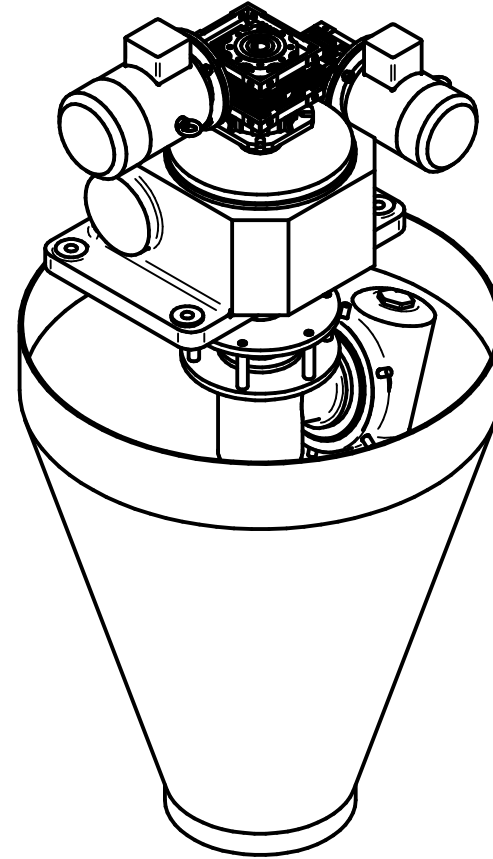
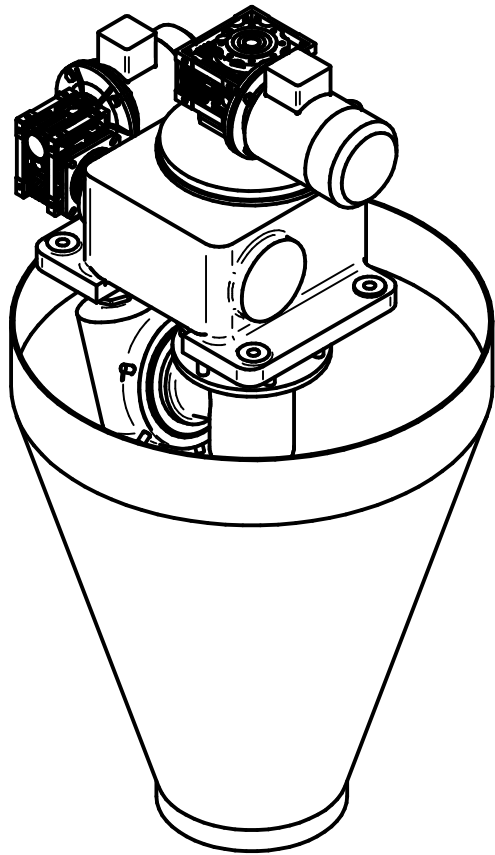


Item Number	File Name (no extension)	Quantity	Material
1	Worm GB_Model-1	1	Steel
2*	Bevel GB_73-Model	1	Steel
4	3068-Nauta mixer	1	
5	Screw MODEL	1	Stainless Steel, 316
6	Coupler	1	Steel
7	Pillar	6	Steel
8	W-63-80 B5 FL	1	
9	Screw Transmission Shaft	1	Steel
10	W-75-90 B5 FL	1	
11	AC Motor 80Fr B5	1	Acier
12	AC Motor 90 Fr B5	1	Acier
13	Bevel GB_90 Model	1	Steel

TECHNOCRAFT ENGINEERS
B-19,MIDC FLATTED FACTORY,L.B.S. ROAD, THANE-400 604.

SIZE A4	NAUTA DRIVE MECHANISM	REV 12.11.19
------------	-----------------------	-----------------

MATL:OHNS	NAUTA MIXER		
QTY.: 1NO.	SCALE: NTS	WEIGHT:	SHEET 2 OF 3



TECHNOCRAFT ENGINEERS
 B-19, MIDC FLATTED FACTORY, L.B.S. ROAD, THANE-400 604.

SIZE A4	NAUTA DRIVE MECHANISM	REV 12.11.19
------------	-----------------------	-----------------

MATL: OHNS	NAUTA MIXER		
QTY.: 1NO.	SCALE: NTS	WEIGHT:	SHEET 3 OF 3