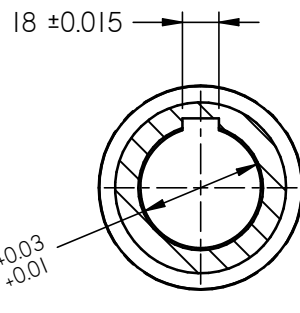
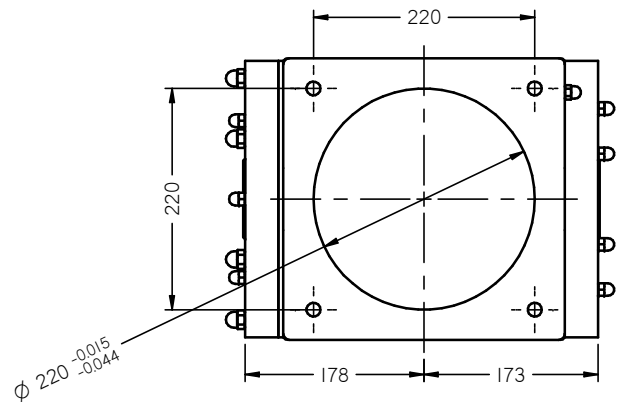


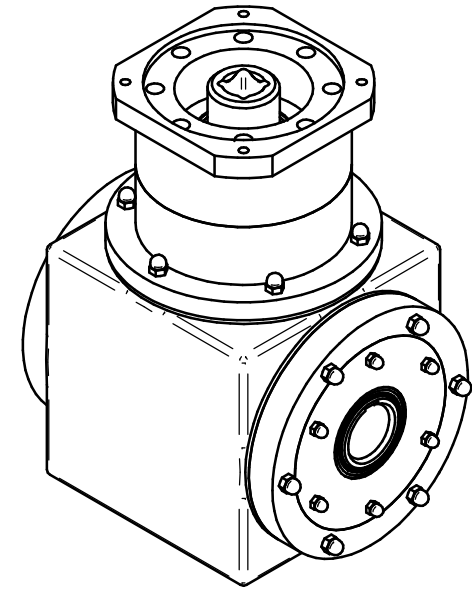
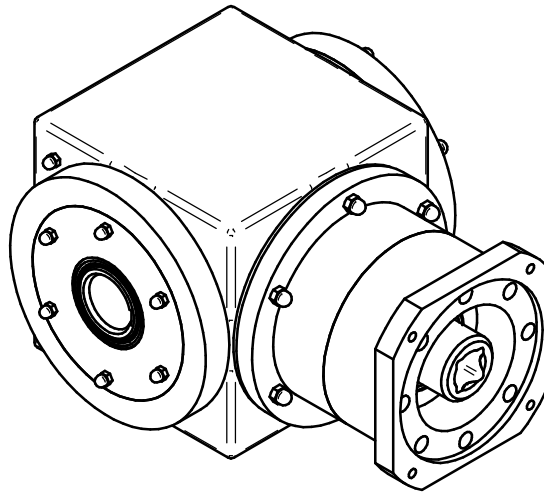
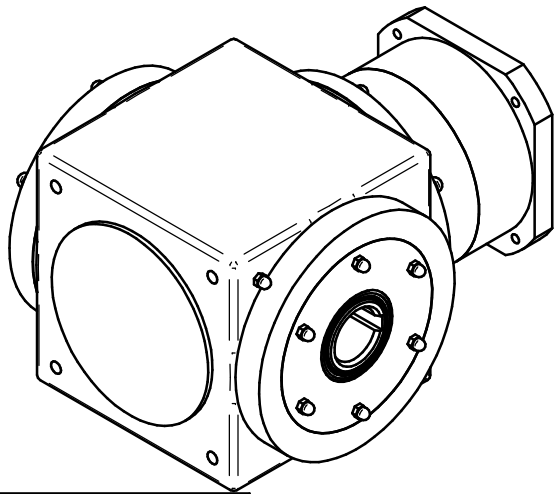
SECTION D-D

TECHNOCRAFT 1:\_1 BEVEL GB B LH\_RH 316L 25



DETAIL A

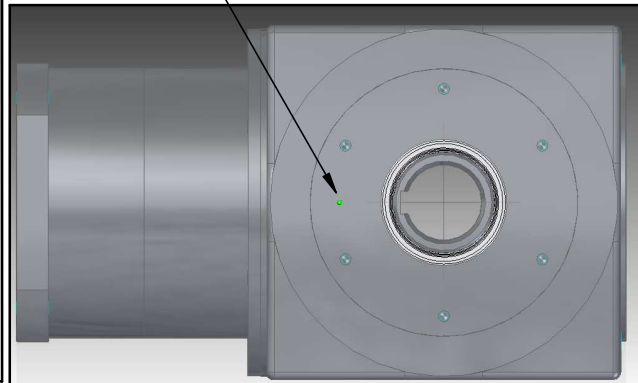
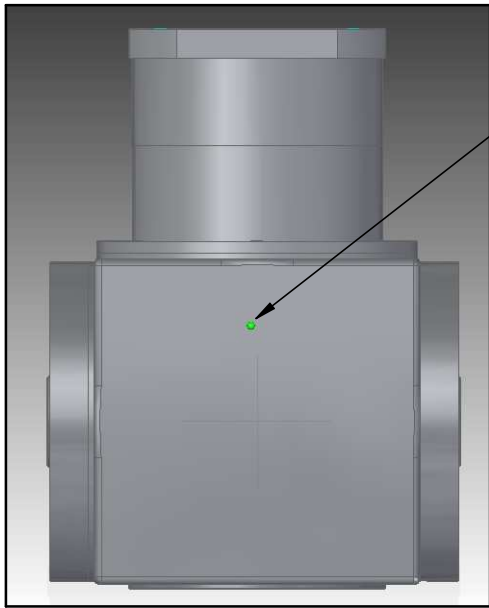
TECHNOCRAFT ENGINEERS B-19,MIDC FLATTED FACTORY,L.B.S. ROAD, THANE-400 604.		
SIZE A3	G.A. DRAWING	REV 16.02.18
TECHNOCRAFT BEVEL GEARBOX - 1007		
SCALE: NTS	WEIGHT:	SHEET 1 OF 2



Center of Mass	
<input checked="" type="checkbox"/> Display symbol	cm
X:	-5.41 mm
Y:	0.14 mm
Z:	82.59 mm

OILSEALS			
ID	OD	THK	QTY.
80	100	10	2
72	100	10	1

O' RINGS		
NOMINAL SIZE	SECTION	QTY.
260	3	2
160	3	1
200	3	2



CENTER OF MASS

TECHNOCRAFT 1:\_1 BEVEL GB B LH\_RH 316L 25  
 RATED TORQUE 1400 NM AT 12 RPM  
 MATERIAL: SS-316-L  
 LUBRICATION: FOOD GRADE GREASE  
 WEIGHT: APPROX-142 KG  
 MAINTENANCE INSTRUCTIONS:  
 FILL THE GREASE AFTER EVERY 1000 HRS OF OPERATION  
 BY OPENING FLANGE AT INPUT

TECHNOCRAFT ENGINEERS B-19,MIDC FLATTED FACTORY,L.B.S. ROAD, THANE-400 604.		
SIZE A3	G.A. DRAWING	REV 16.02.18
TECHNOCRAFT BEVEL GEARBOX - 1007		
SCALE: NTS	WEIGHT:	SHEET 2 OF 2