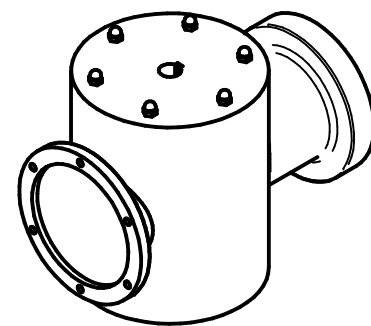
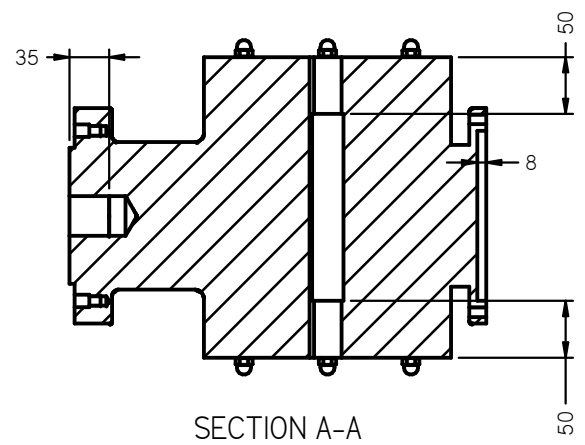
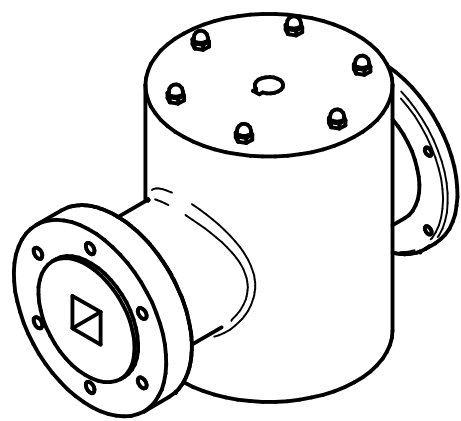
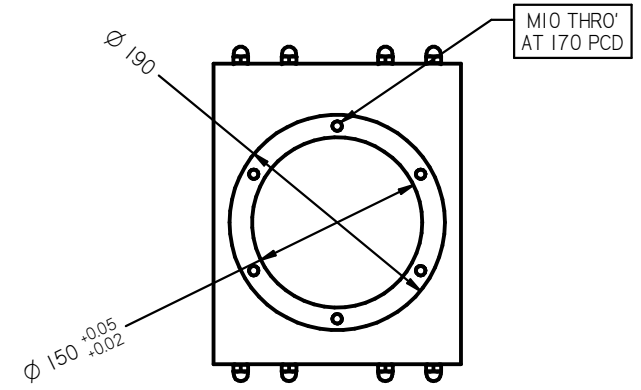
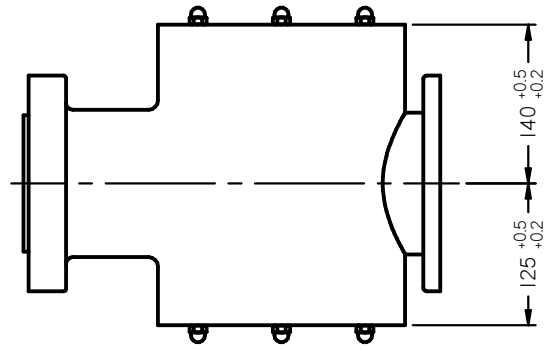
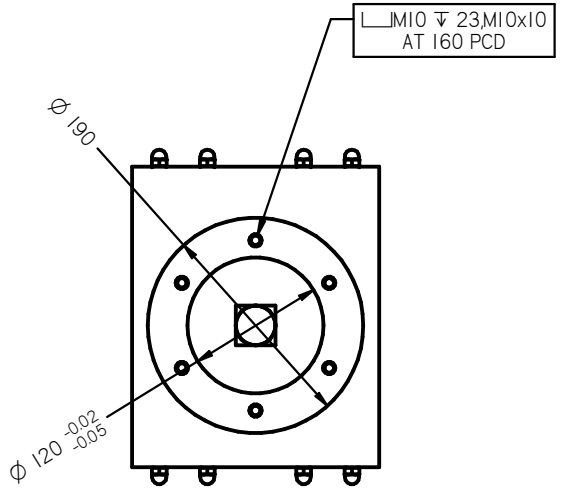


TORQUE RATING	
DRG. NO.	TORQUE AT 6 RPM
TECHNO-3021	320



TECHNOCRAFT ENGINEERS		
B-19, MIDC FLATTED FACTORY, L.B.S. ROAD, THANE-400 604.		
SIZE	G.A. DRAWING	REV
A4		03.04.21
TECHNOBEVEL 1802-3021		
SCALE: NTS	WEIGHT: KG	SHEET 1 OF 1