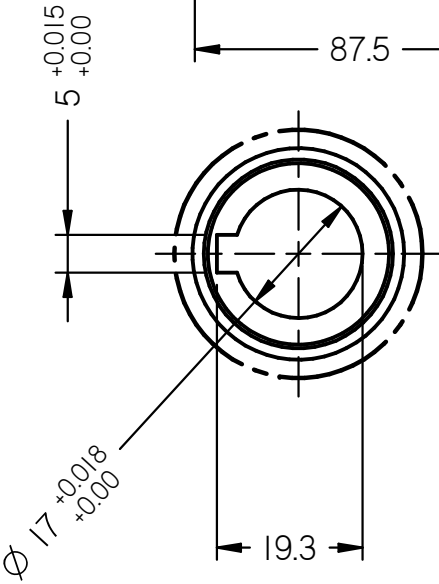
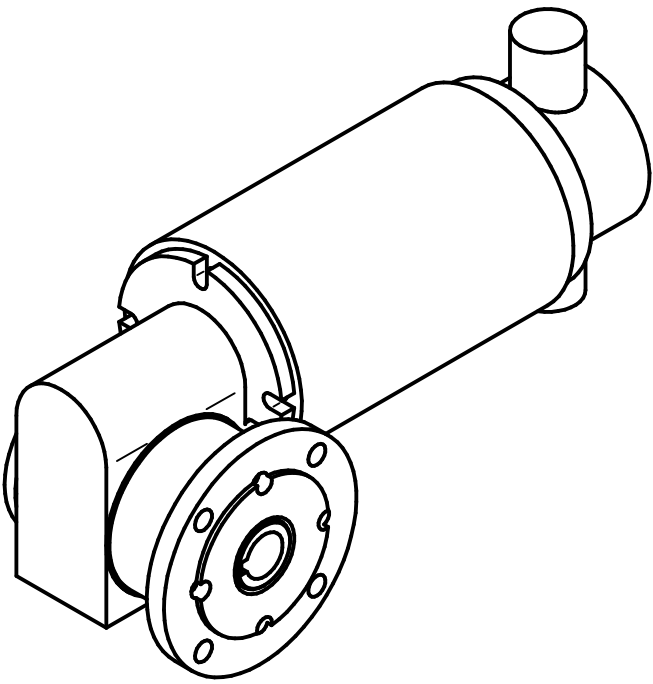


4 HOLES Ø8 AT 75PCD



DETAIL A



PRODUCT CODE: EC18015-B3XXW2R1789

TECHNOCRAFT ENGINEERS		
B-19,MIDC FLATTED FACTORY,L.B.S. ROAD, THANE-400 604.		
SIZE	MODEL EC18015-B3XXW2R1789	
A4		
PMDC WORM GEARED MOTOR WITH HOLLOW OUTPUT		
SCALE: NTS	WEIGHT: 4.890 KG	SHEET 1 OF 1