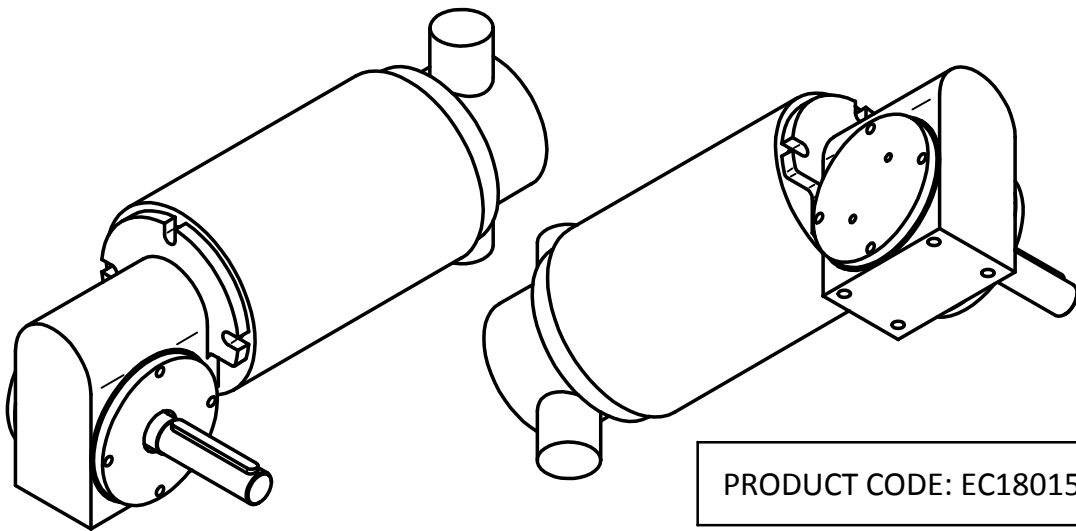
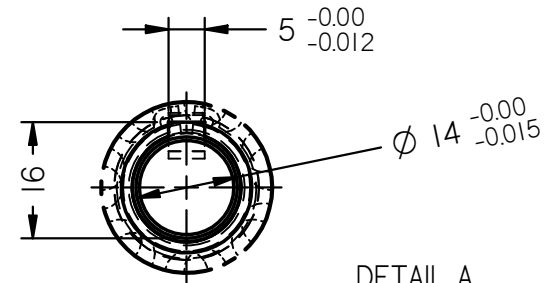


4 NOS. M6x10  
FOR MOUNTING



PRODUCT CODE: EC18015-B1XXW2R1450

TECHNOCRAFT ENGINEERS		
B-19,MIDC FLATTED FACTORY,L.B.S. ROAD, THANE-400 604.		
SIZE A4	MODEL EC18015-B1XXW2R1450	
PMDC FOOT MOUNTED WORM GEARED MOTOR		
SCALE: NTS	WEIGHT:4.565 KG	SHEET 1 OF 1