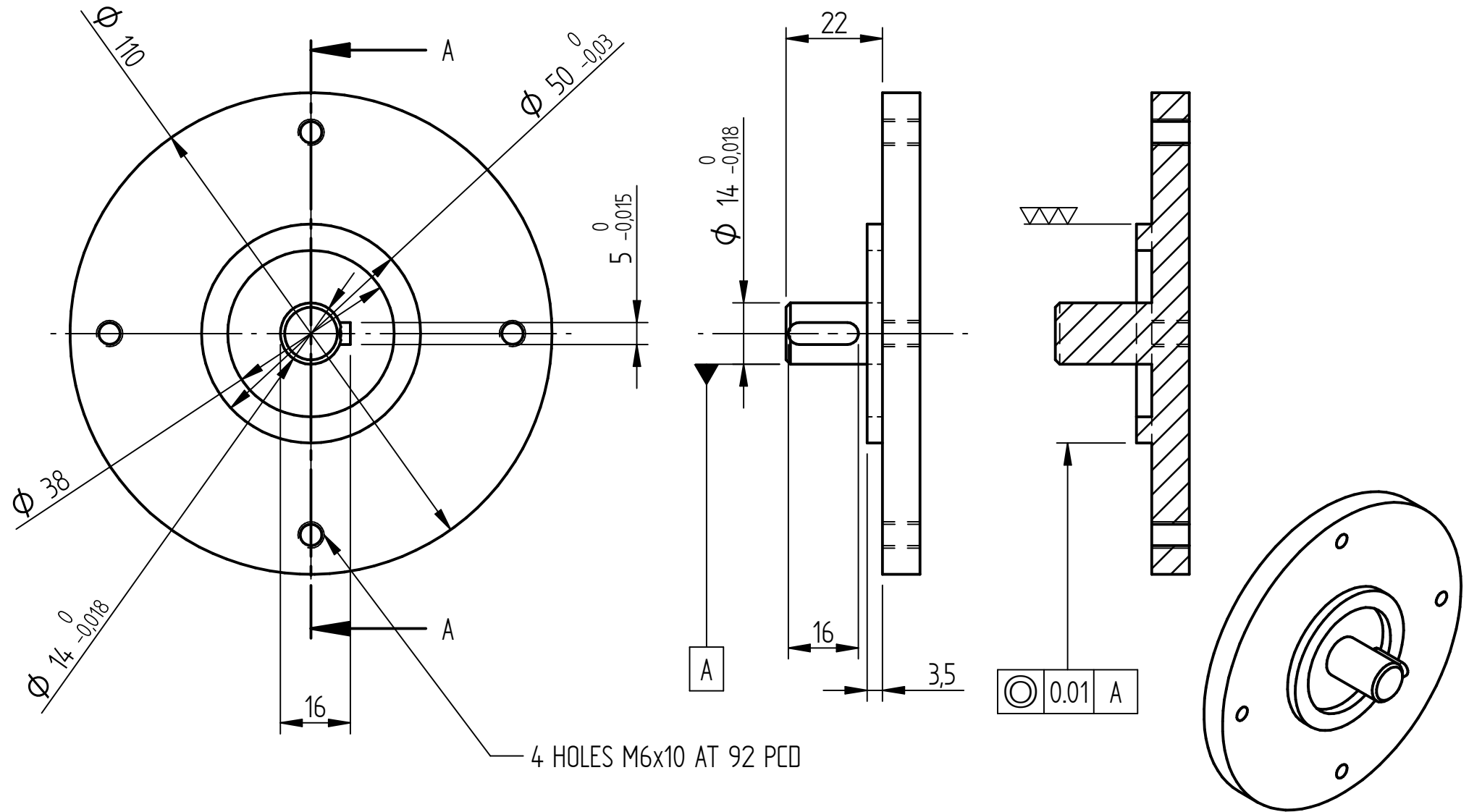


SECTION A-A



4 HOLES M6x10 AT 92 PCD

TECHNOCRAFT ENGINEERS			
B-19, MIDC FLATTED FACTORY, L.B.S. ROAD, THANE-400 604.			
SIZE	MOTOR FLANGE DETAILS FOR CD-38		REV
A4			
MATL: AL.	TENCOCRAFT WORM GEARBOX CD-38		
QTY.: 1NO.	SCALE: NTS	WEIGHT:	SHEET 1 OF 1