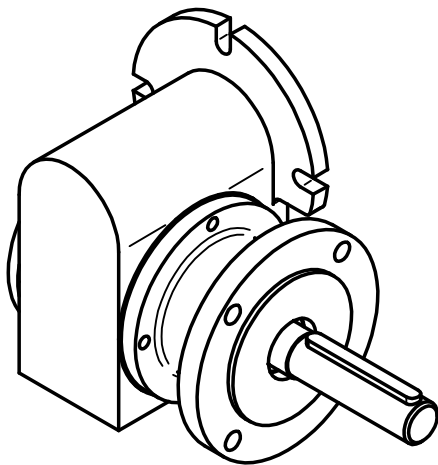


DETAIL B

XX=RATIOS: 48,24,16,10



TECHNOCRAFT ENGINEERS		
B-19,MIDC FLATTED FACTORY,L.B.S. ROAD, THANE-400 604.		
SIZE A4	MODEL NO-B2XXW2R1450	
FLANGE MOUNTED RH GEARBOX		
SCALE: NTS	WEIGHT:1.150 KG	SHEET 3 OF 4