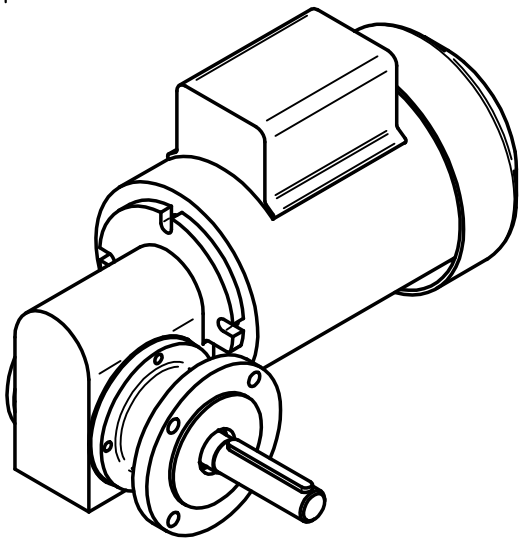


DETAIL A



PRODUCT CODE: TC9023015-B2XXW2R1450

| | | |
|---|-----------------------------|--------------|
| TECHNOCRAFT ENGINEERS | | |
| B-19,MIDC FLATTED FACTORY,L.B.S. ROAD, THANE-400 604. | | |
| SIZE A4 | MODEL TC9023015-B2XXW2R1450 | |
| AC FLANGE MOUNTED WORM GEARED MOTOR | | |
| SCALE: NTS | WEIGHT: 4.540 KG | SHEET 1 OF 1 |