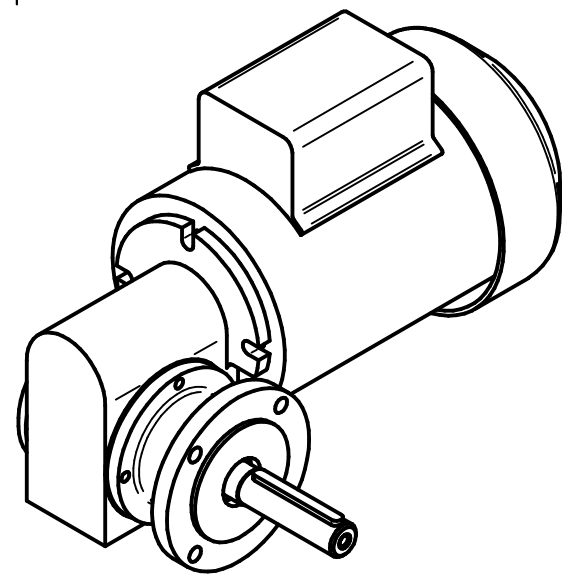
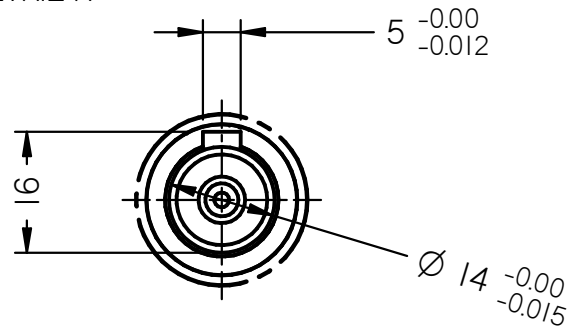


4 NOS. M6x10 FOR MOUNTING

DETAIL A



PRODUCT CODE: TC9023015-B2XXW2R1450

TECHNOCRAFT ENGINEERS		
B-19,MIDC FLATTED FACTORY,L.B.S. ROAD, THANE-400 604.		
SIZE A4	MODEL TC9023015-B2XXW2R1450	
AC FLANGE MOUNTED WORM GEARED MOTOR		
SCALE: NTS	WEIGHT: 4.540 KG	SHEET 1 OF 1